

Fig No: **V-205**

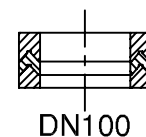
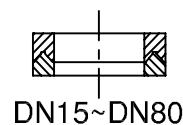
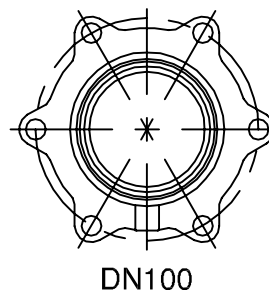
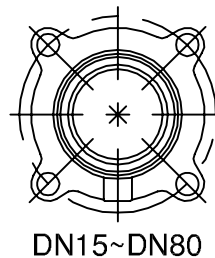
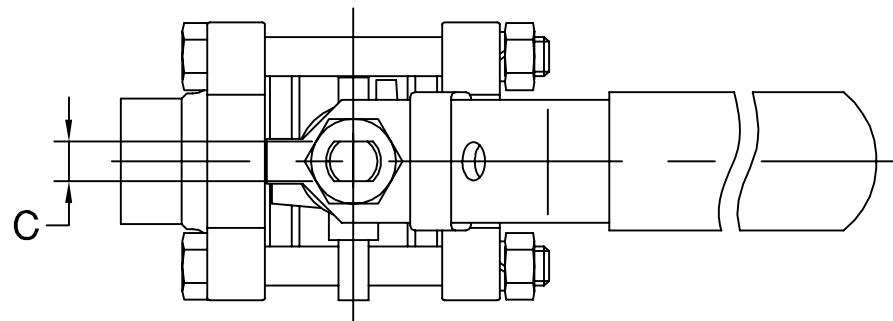
MATERIALS LIST

NO.	PART NAME	MATERIAL
1	BODY	CF8M / EN1503-2
4	BALL	CF8M / EN1503-2
5	STEM	SS316
9	END CAP	CF8M / EN1503-2
11	BODY SEAL	PTFE.
12	SEAT	PTFE.
13	THRUST WASHER	PTFE.
14	STEM PACKING	PTFE.
16	GLAND NUT	SS304
19	HANDLE	SS304
21	HANDLE COVER	VINYL
23	HANDLE WASHER	SS304
24	HANDLE NUT	SS304
28	LOCKING DEVICE	SS304
35	BODY BOLT	SS304
36	BOLT WASHER	SS304
37	BOLT NUT	SS304

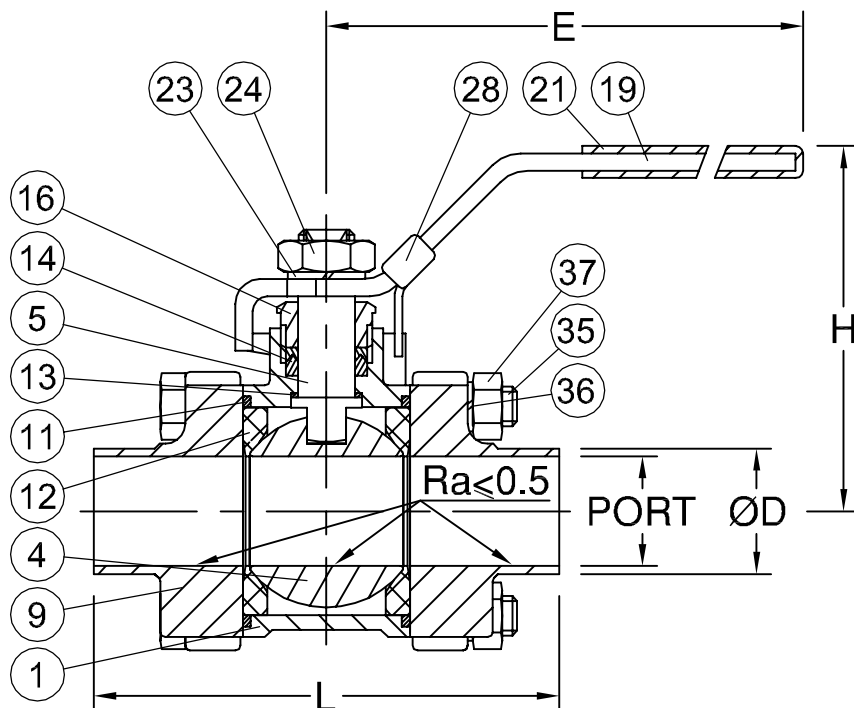
DIMENSIONS

SIZE	PORT	unit:mm					
		L	E	H	C	ØD	
DN15	1/2"	9.4	66.2	132.0	64.0	6.5	12.7
DN20	3/4"	15.8	75.0	132.0	67.0	6.5	19.0
DN25	1"	22.2	94.2	167.0	75.0	8.0	25.4
DN40	1-1/2"	34.9	114.7	192.0	90.0	9.7	38.1
DN50	2"	47.5	128.0	192.0	98.0	9.7	50.8
DN65	2-1/2"	60.3	160.0	252.0	137.0	12.0	63.5
DN80	3"	73.0	176.2	252.0	147.0	12.0	76.2
DN100	4"	97.4	210.0	282.0	175.0	15.0	101.6

WORKING PRESSURE: DN15~DN50 PN 63
 DN65~DN100 PN 40



STEM PACKING



CODE	W-001	APPROVED BY.	CHECK BY.	DRAWN BY.	DRAWING NO.	MATERIAL	UNIT	DESCRIPTION
	SIGN	PRESTON	SHANA	POOLER	V-205-W001	MATERIALS LIST	mm	THREE PIECE SANITARY BALL VALVE, TUBE END, TUBE BORE, PN 63 / 40
	DATE	12/21/2007	12/21/2007	12/21/2007	REVISION	01	SCALE	