

F

E

D

C

B

A

MODEL:

V-106E

## MATERIALS LIST

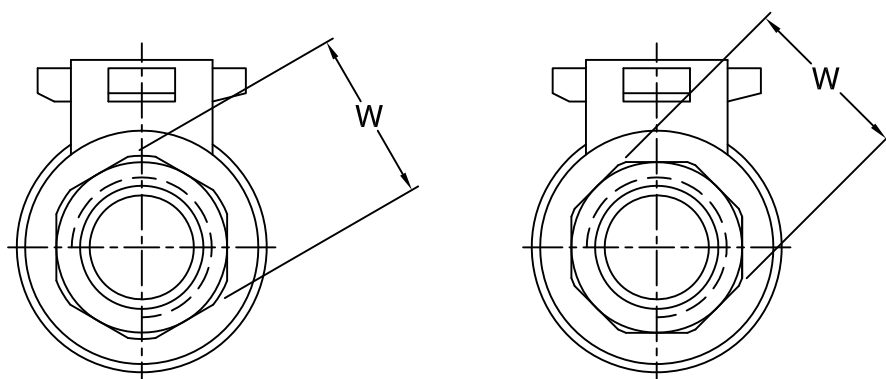
NO.	PART NAME	MATERIAL
1	BODY	1.4408 / EN1503-1
4	BALL	CF8M / EN1503-2
5	STEM	SS316
9	END CAP	1.4408 / EN1503-1
11	BODY SEAL	PTFE
12	SEAT	PTFE
13	THRUST WASHER	PTFE
14	STEM PACKING	PTFE
16	GLAND NUT	SS304
19	HANDLE	SS304
21	HANDLE COVER	PLASTIC
24	HANDLE NUT	SS304

## DIMENSIONS

unit:mm

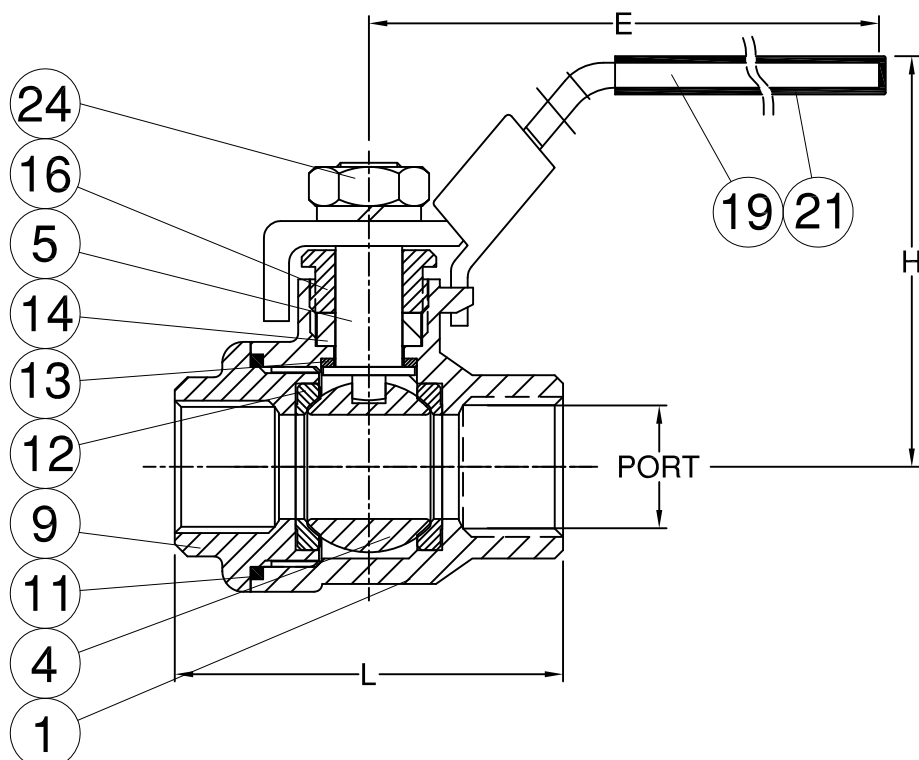
SIZE	PORT	L	E	H	W
DN6	1/8"	8.0	46.6	75.0	50.0
DN8	1/4"	11.5	46.6	75.0	50.0
DN10	3/8"	12.5	46.6	75.0	50.0
DN15	1/2"	15.0	56.3	95.0	56.5
DN20	3/4"	20.0	61.5	95.0	60.5
DN25	1"	24.0	75.5	120.0	68.8
DN32	1-1/4"	31.0	85.8	120.0	75.0
DN40	1-1/2"	37.0	94.8	150.0	83.5
DN50	2"	50.0	114.2	150.0	95.0
DN65	2-1/2"	62.0	139.8	220.0	127.3
DN80	3"	75.0	156.4	220.0	136.1

WORKING PRESSURE: DN6~DN50 PN63  
DN65~DN80 PN40



DN6~DN25

DN32~DN80



PORT

CODE	P-005	⊕⊖	DRAWN	JANE	UNIT	mm	BODY	1.4408	PIECE	TWO	SN	20110114091547
 <b>MODENTIC</b> INDUSTRIAL CORPORATION	CHECKED	JERRY	SCALE	FREE	SEAT	RTFE	VALVE	BALL	CONNECTION	THREADED END		
	APPROVED	MIKE	REVISION	01	FIRE SAFE	N/A	BORE	FULL	OPERATION	LEVER		
	DATE	2014/11/26	NOTE		PORT	2-WAY	TYPE	ECONOMY	PRESSURE	PN 63 / 40		

F

E

D

C

B

A