

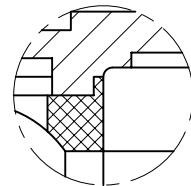
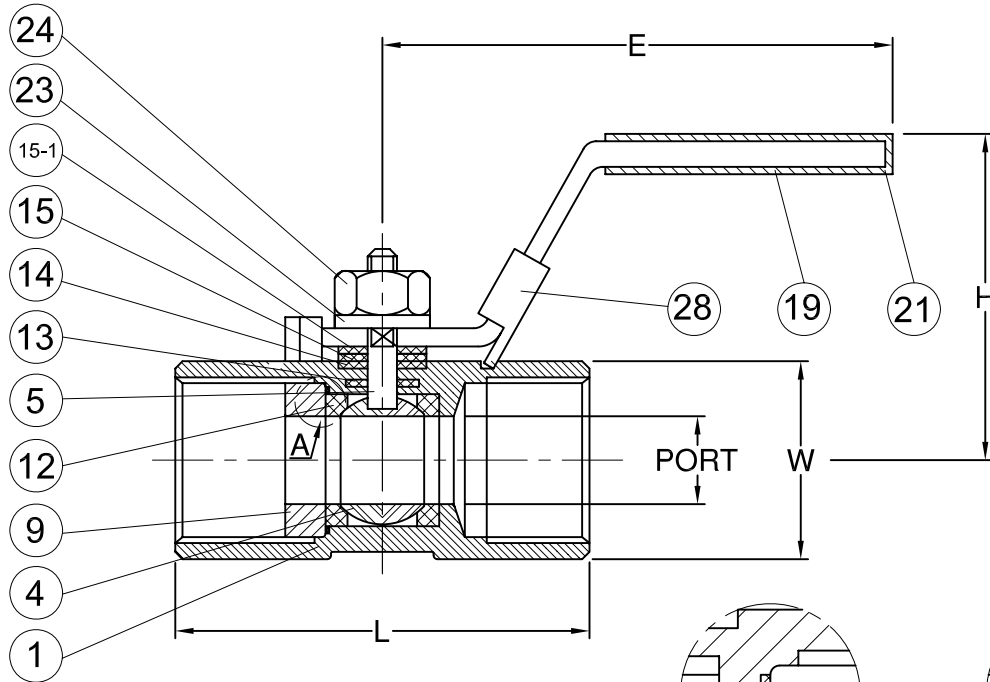
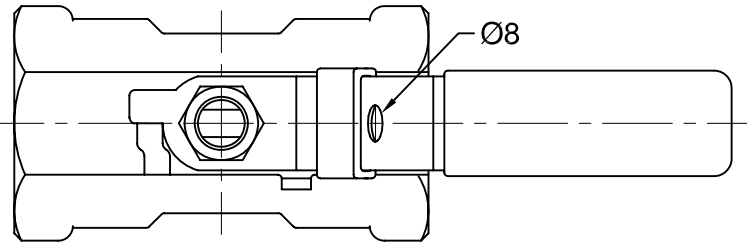
MODEL : **V-103P**

MATERIALS LIST

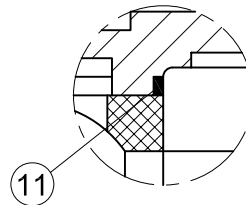
NO.	PART NAME	MATERIAL
1	BODY	1.4408 / EN1503-1
4	BALL	1/4"~1/2" 3/4"~2" SS316 CF8M
5	STEM	SS316
9	INSERT CAP	1.4408 / EN1503-1
11	BODY SEAL	PTFE
12	SEAT	PTFE
13	THRUST WASHER	PTFE
14	STEM PACKING	PTFE
15	GLAND WASHER	SS304
15-1	GLAND WASHER	SS304
19	HANDLE	SS304
21	HANDLE COVER	PLASTIC
23	SPRING WASHER	SS304
24	HANDLE NUT	SS304
28	LOCKING DEVICE	SS304(OPTION)

DIMENSIONS unit:mm

SIZE	PORT	L	E	H	W
DN8	1/4"	5.0	39.0	69.0	35.0
DN10	3/8"	7.2	44.0	79.0	36.0
DN15	1/2"	9.2	56.5	109.0	40.0
DN20	3/4"	12.5	59.0	109.0	42.0
DN25	1"	15.0	71.0	111.7	47.0
DN32	1-1/4"	20.0	78.0	111.7	53.0
DN40	1-1/2"	25.0	83.0	157.0	62.0
DN50	2"	32.0	100.0	155.5	67.0



**DN8~DN25
A-VIEW**



**DN32~DN50
A-VIEW**

CODE	P-005	⊕⊖	DRAWN	CHESTER	UNIT	mm	BODY	1.4408	PIECE	ONE	SN	N/A
	CHECKED	JERRY	SCALE	FREE	SEAT	PTFE	VALVE	BALL	CONNECTION	THREADED END		
	APPROVED	MIKE	REVISION	01	FIRE SAFE	N/A	BORE	REDUCED	OPERATION	LEVER		
	DATE	2014/07/03	NOTE	CE	PORT	2-WAY	TYPE	STANDARD	PRESSURE	PN 40		

F

E

D

C

B

A