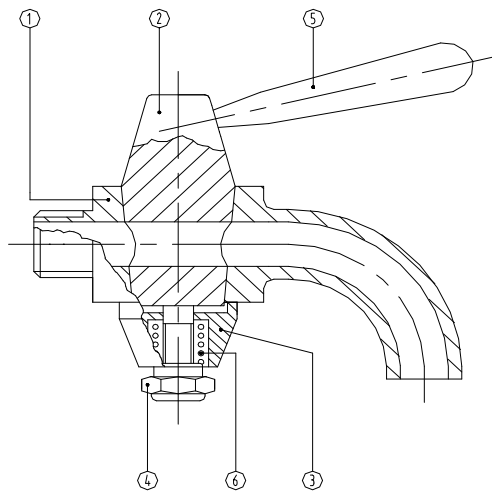


Sampling Plug Bend

BSP

CODE 033 G



- 1. Plug casing
- 2. Plug
- 3. Spring holder
- 4. Self-locking nut
- 5. Handle
- 6. Spring

Pos.	Qty	Part No.	Description	Material
1	1	033G.601	Plug casing	AISI 316L
2	1	032G14/38.602	Plug	AISI 316L W/ CHROME
3	1	032G14/38.603	Spring holder	AISI 316L
4	1	032GM8.404	Self-locking nut	AISI 304
5	1	032G14/12.405	Handle	AISI 304L
6	1	032G14/12.406	Spring	AISI 304